



ISLINGTON

Street Environment Services

Recycling and Refuse Storage Requirements



Contents

1. Introduction

- 1.1 Who is this guide for?
- 1.2 Consultation
- 1.3 Contacting Street Environment Services

2. Street Area Managers – areas of responsibility

3. Submitting planning applications – waste management issues

- 3.1 Submitting applications
- 3.2 Granting planning permission
- 3.3 Large-scale developments

4. Collection frequency and the provision of sufficient storage space

- 4.1 Residential
- 4.2 Commercial
- 4.3 Mixed use (commercial and residential)

5. Storage Capacity

- 5.1 Introduction
- 5.2 Residential
 - 5.2.1 Refuse and recycling
 - 5.2.2 Internal segregated recycling and refuse bins
- 5.3 Commercial and industrial collections

6. Storage Requirements

- 6.1 Containers
 - 6.1.1 Number of containers
 - 6.1.2 Issues affecting the provision of large waste storage systems
 - 6.1.3 Locks
 - 6.1.4 Size of storage areas
- 6.2 Storage for other materials
 - 6.2.1 Bulky waste storage
 - 6.2.2 Cooking oil
- 6.3 User accessibility
 - 6.3.1 User convenience
 - 6.3.2 Disabled accessibility
 - 6.3.3 Recycling Signs

- 6.4 Collection requirements affecting storage design
 - 6.4.1 Maximum container dragging distances
 - 6.4.2 Off street collection areas
 - 6.4.3 Access path requirements
 - 6.4.4 Storage area finishing requirements
 - 6.4.5 Basement storage access
 - 6.4.6 Lifts for moving waste containers
- 6.5 Additional Considerations for mixed use developments
 - 6.5.1 Independent storage for each user
- 6.6 Alternative waste storage systems
 - 6.6.1 Chute systems
 - 6.6.2 Management-provided internal waste collection services
 - 6.6.3 Skips
 - 6.6.3.1 Floor plates
 - 6.6.3.2 Heavy-duty stop barriers

7. Recycling

- 7.1 Background
- 7.2 Residential developments
 - 7.2.1 Adequate storage provision
 - 7.2.2 Location
 - 7.2.3 Identification on plans
 - 7.2.4 Recyclable materials
 - 7.2.5 Recycling containers
 - 7.2.6 Onsite composting facilities
- 7.3 Commercial developments
 - 7.3.1 Recycling saves money and attracts customers
- 7.4 Public recycling sites

8. Charges

- 8.1 Residential
 - 8.1.1 Collection
 - 8.1.2 Containers
 - 8.1.2.1 Refuse
 - 8.1.2.2 Recycling
- 8.2 Trade and business premises
 - 8.2.1 Collections
 - 8.2.2 Containers

9. Bulky waste storage

- 9.1 Development size
- 9.2 Location
- 9.3 Dimensions
- 9.4 Vehicle access
- 9.5 Lighting

10. Clinical waste

10.1 What counts as clinical waste?

10.2 Separate storage

10.3 Clinical waste collection

11. Vehicle access – requirements, dimensions and turning circles

11.1 Loading

11.2 Access roads

11.3 Reversing

11.4 Turning areas

11.5 Parking obstructions

11.6 Collection vehicle dimensions: waste / recycling collection vehicle

11.7 Collection vehicle dimensions: skip vehicle

11.8 Minimum dimensions for turning areas (waste collection vehicle)

Appendix I – Storage equipment for waste and recyclable material

Appendix II – Useful information

Appendix III – Reference documents

1. INTRODUCTION

1.1 Who is this guide for?

This guide provides information for architects and others concerned with providing recycling and refuse storage facilities for premises within the London Borough of Islington.

It indicates methods of waste storage and the criteria by which Street Environment Services estimates waste production. It should not be considered an alternative to consultation - discussion is essential to ensure acceptable provision for waste storage.

1.2 Consultation

Detailed recycling and refuse storage plans must be submitted to the relevant Street Environment Services Area Manager, who will advise on refuse and recycling collection and storage arrangements.

1.3 Contacting Street Environment Services

Responsibility for Islington's recycling and refuse is divided into four areas. The map on the following page will help you identify which area your development falls in.

Team Islington Area Manager (Village 1 & 2): Bill Reay
T: 020 7527 3995
E: bill.reay@enterprise.plc.uk

Team Islington Area Manager (Village 3 & 4): Chris Demetriou
T: 020 7527 5154
E: chris.demetriou@islington.gov.uk

Team Islington Manager Area (Village 5 & 6): David Rawlings
T: 020 7527 4605
E: david.rawlings@islington.gov.uk

Street Environment Services are based at:

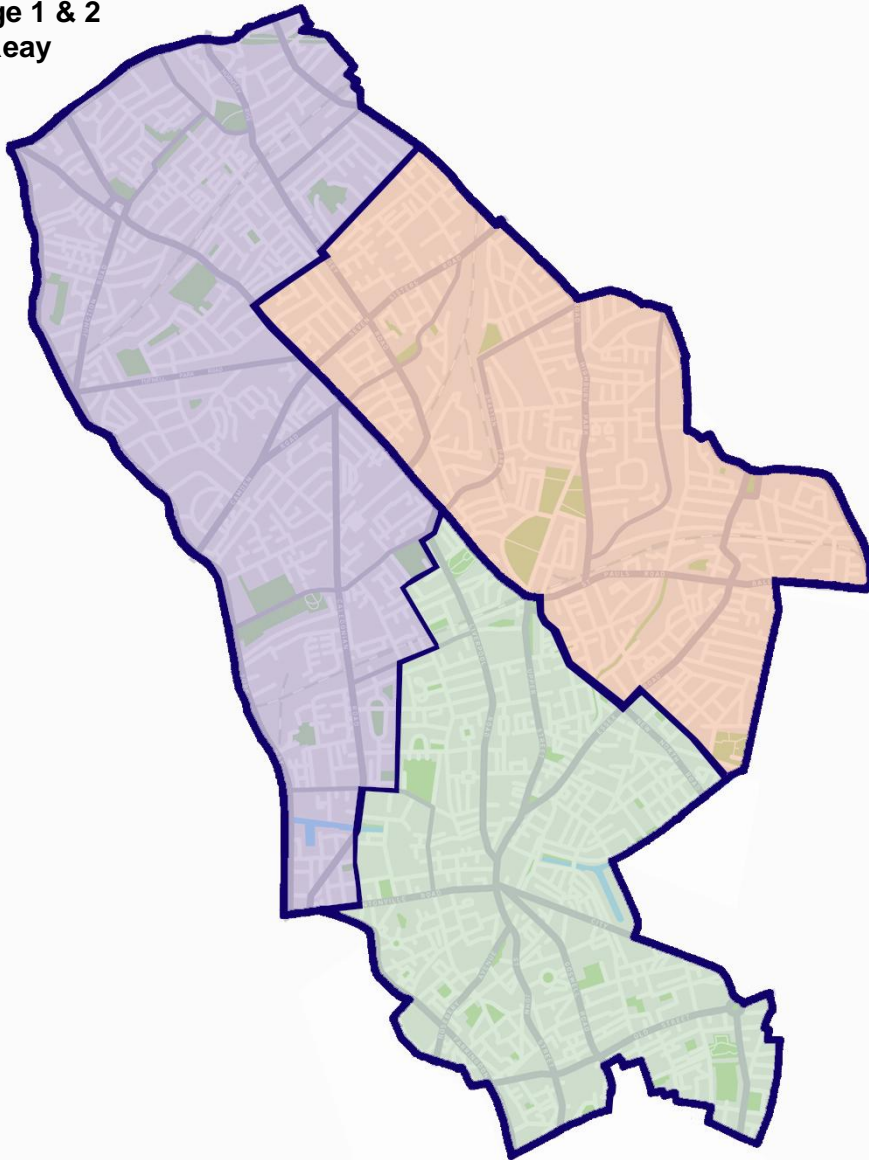
Street Environment Services
Islington Council
1 Cottage Road
London
N7 8TP

This guide is downloadable at <http://www.islington.gov.uk/services/rubbish-recycling/rubbish/Pages/architectsguidance.aspx>

We would welcome your comments on this guide. If you have any suggestions for improvements in future editions, please call 020 7527 4814 or email recycling@islington.gov.uk

2. Street Area Managers – Areas of Responsibility

Village 1 & 2
Bill Reay



Village 3 & 4
Chris Demetriou

Village 5 & 6
David Rawlings

3. Submitting planning applications – waste management issues

3.1 Submitting applications

When a planning application is submitted, the Council will expect details of the proposed storage accommodation for waste and recyclable material to be specified.

3.2 Granting planning permission

In determining planning applications, permission will not normally be granted in advance of submission of details indicating satisfactory storage arrangements for recycling and refuse. However, in exceptional circumstances it may be considered appropriate to reserve details of the waste storage accommodation for approval prior to commencement of construction.

3.3 Large-scale developments

In major residential or commercial developments the Council may require a waste management plan to be submitted. This should indicate:

- estimated volumes and types of waste produced by the development,
- the size and location of waste and recycling stores and how recyclable material and other waste will be delivered to these stores,
- the equipment specified for containing the waste, and
- the proposed collection point and the method for transferring waste to this location.

Demolition and construction waste

The information in this guide relates only to operational waste. However, the council will also require schemes to demonstrate that they have minimised demolition and construction waste, including through production of Site Waste Management Plans and, wherever relevant, through compliance with ICE's demolition protocol¹. Further guidance on reducing construction waste can be obtained from the Waste Resources Action Programme² or from the Council's Sustainability Officer (Planning).

4. Collection frequency and the provision of sufficient storage space

4.1 Residential

Refuse and recycling collections are normally weekly. The day of collection may be affected for a brief period following bank holidays.

Sufficient storage must be available to contain all the refuse and recycling produced over a minimum of eight days.

In certain circumstances, we can provide twice weekly collections. A second or additional refuse collection will be chargeable. If you wish to discuss the arrangements for your development, please contact the relevant Area Manager. This provision must be clearly marked on the relevant plans submitted with the planning application.

4.2 Commercial

Commercial waste can be collected as many as seven times a week, so long as the appropriate payment is made (see Section 8). However, schedules may be affected by bank holidays.

Student accommodation/hostels will be classified as hotels within item 5 of Schedule 2 Regulation 4 of The Controlled Waste Regulations 1992 Statutory Instrument No 588 for which a charge may be made by the council for refuse collection. These properties will be

¹ <http://www.ice.org.uk/downloads//Demolition%20Protocol%202008.pdf>

² <http://www.wrap.org.uk/construction/index.html>

able to receive a commingled dry recyclable service free of charge where they are receiving a chargeable household waste service in the form of similar bulk containers collected weekly.

4.3 Mixed use (commercial and residential)

In areas where there are mixed residential and commercial units, residential dwellings will be required to have eight day’s storage.

Refuse produced by premises containing both commercial and residential units must be stored separately (see 6.5.1 for further details).

Consultation
 Negotiations concerning the provision of waste storage accommodation should take place directly with the appropriate Street Environment Services Area Manager.

5. Storage Capacity

5.1 Introduction

When considering the amount of storage space needed for any particular development the following tables will help to calculate the volume of waste generated. They should only be taken as a guide, since individual developments may need specific storage requirements.

5.2 Residential

5.2.1 Recycling and refuse

Recycling and refuse storage capacity should comply with the Code for Sustainable Homes guidance.

Size of Unit	Total storage capacity required for Refuse and Recycling
One bedroom	200 litres
Two bedroom or more	A further 140 litres for each additional bedroom

Recycling - At least **50%** of total storage capacity (calculated using the table above) must be allocated for recycling.

5.2.2 Internal segregated recycling and refuse bins

Where they are to be fitted, kitchen units in new properties should incorporate segregated recycling and refuse bins. They should feature a minimum of three compartments (for recyclables, kitchen waste and refuse).

5.3 Commercial and industrial collections

Building Use	Waste Storage Requirements per 1,000 square metres of floor space (gross)	Recycling Storage Requirements
Offices	2.6 cubic metres	50% of this capacity should be retained for the storage of separated waste for recycling
Retail ¹	5 cubic metres	
Restaurants ²	1.5 cubic metres per 20 dining spaces	
Hotels ³	1.5 cubic metres per 20 dining spaces	

¹**Retail** - This is not a generally applicable minimum requirement. The amount of storage space required for waste varies widely due to the difference in waste output of retail units, which is dependent on factors such as location, market niche, products sold, etc. Street Environment Services will assess each proposal individually.

²**Restaurants** - This is not a generally applicable minimum requirement. Certain food outlets, such as fast food restaurants, would generate substantially greater amounts of waste. Street Environment Services will assess each proposal individually.

³**Hotels** - The volume of waste produced depends to a large extent on the type of hotel, since these range from short stay bed and breakfast to luxury with full banqueting facilities. Street Environment Services should be contacted at an early stage in the design process to advise on storage space and equipment requirements.

6. Storage Requirements

6.1 Containers

6.1.1 Number of containers

As a general rule, every development should be provided with the minimum number of separate containers in which to store waste and recyclable material.

The recommended maximum storage provision for waste and recyclable material is:

(i) no more than 10 dustbins
(ii) no more than 8 Eurobins (660 & 1100 litres) or wheeled bins of any type (for all definitions see Appendix I)
(iii) no more than 1 skip container

If any of these limitations are exceeded, a waste storage system utilising larger waste containers should be used or, as an alternative, it may be necessary to use an appropriate waste compactor. You should consult with the relevant Area Manager in such instances.

6.1.2 Issues affecting the provision of large waste storage systems

Some of the larger waste storage systems (such as skips) require access for heavy vehicles, which may not always be acceptable in environmentally sensitive locations such as Conservation Areas or in the vicinity of listed buildings.

Design constraints mean that provision of access and accommodation for such vehicles is only likely to be possible in new developments, which could be designed to accommodate off-street servicing. In all instances, consideration must be given to the sensitivity of location, the requirements for a vehicular cross-over and the likely constraints of headroom and turning space.

6.1.3 Locks

Our waste collection contractors will not accept any liability for lost or replacement keys, for this reason it is advisable that waste storage areas accessible from the street are locked with either an **FB1** or an **FB2** lock. If necessary, a key pad may be used to gain access, but property managers should be advised that such codes will be shared by a variety of collection operatives. The door of the waste storage area must not open over a public footway or road.

6.1.4 Size of storage areas

Waste storage areas must be large enough to allow access to all containers.

6.2 Storage for other materials

6.2.1 Bulky waste storage

Large residential developments must be provided with space for redundant bulky household goods, such as furniture, cookers, electrical equipment and refrigerators/freezers. These items are only collected on request. Unwanted goods of this type in good condition may be collected for reuse by various charities. Please see the section on Bulky waste storage (see Section 9) for further information.

6.2.2 Cooking oil

Medium to large restaurants and hotels must include suitable separate storage provision for waste cooking oil.

6.3 User Accessibility

6.3.1 User convenience

Storage areas for residential dwellings should be sited so that the occupiers are not required to carry waste more than 30 metres.

6.3.2 Accessibility

All provision must be designed to be accessible for disabled persons, as far as possible.

6.3.3 Recycling signs

Storage areas for waste and recyclable material should be clearly designated for this use only, by a suitable door or wall sign and, where appropriate, with floor markings. Islington Council can provide advice on suitable signage.

6.4 Collection requirements affecting storage design

6.4.1 Maximum container dragging distances

Waste collection operatives should not be required to:

- | |
|--|
| (i) carry waste sacks more than 10 metres . |
| (ii) carry dustbins or move wheeled bins (up to 360 litres) more than 10 metres . |
| (iii) transport a Eurobin (660, 1100 or 1280 litres), or similar wheeled waste container, more than 10 metres . |

6.4.2 Off street collection areas

In order to further reduce the environmental impact of waste being placed on the pavement for collection, buildings will be expected to have an off-street collection area at ground floor level.

Exceptions will be made to these requirements only if making the provision would require structural and visual changes that would be unacceptable to the Council. This would particularly apply to listed buildings or buildings in a conservation area.

6.4.3 Access path requirements

In the case of a Eurobin, or similar wheeled waste container, the path between the container housing or chamber and the nearest vehicular access should:

- | |
|---|
| (i) be free of steps or kerbs (a dropped kerb may be required) |
| (ii) have a solid foundation |
| (iii) be rendered with a smooth continuous finish (a cobbled surface is unsuitable for any type of wheeled container) |
| (iv) be level, unless the gradient falls away from the housing or chamber, in which case it should not exceed 1:14 |
| (v) have a minimum width of 2 metres |

6.4.4 Storage area finishing requirements

The floor and walls of waste stores must be constructed and finished in materials that are impervious and easily kept clean. Where appropriate, a trapped gully and water supply should be provided.

6.4.5 Basement storage

Waste and recycling will not be collected from basement storage areas. If it is proposed to locate storage areas in a basement area, a suitable ground floor collection area must be indicated on drawings submitted for approval. In addition, a written statement must be attached describing the proposed method for transporting the containers to ground level for collection, including parking arrangements for a tractor unit and trailer, if these are required.

6.4.6 Lifts for moving waste containers

If waste containers are to be transported to ground level by a goods lift, it must be large enough to accommodate at least one waste container as well as the porter. In large schemes more than one waste container will need to be accommodated. The lift doors and adjacent lobby or corridor must be sized so that waste containers can be easily manoeuvred.

6.5 Additional considerations for mixed use developments

6.5.1 Independent storage for each user

Residential units must have independent storage. This is because, if the refuse for both is stored together, there is potential for the abuse of free collections provided for residents (paid for through their council tax) by commercial users.

Aside from residential storage, each separate user should have their own independent store for waste and recyclable material. However, waste storage for commercial users may be combined if the service forms part of the service agreement between all users and their servicing agent or landlord.

6.6 Alternative waste storage systems

6.6.1 Chute systems

If a chute system is proposed for a residential development, this will only be accepted if a minimum of **two chutes** are provided, to allow one to be used solely for recyclable material. The chutes should be located close together and must be accessible to all residents.

6.6.2 Management-provided internal waste collection services

In large residential developments where it is proposed not to use chutes, but for the management to provide an internal waste collection service for residents, a waste storage area is required on **each floor**. In addition to a suitable waste container, this store should have sufficient space to accommodate containers for the storage of separated dry recyclable material.

6.6.3 Skips

6.6.3.1 Floor plates

A metal floor plate is recommended to protect the floor surface and minimise damage.

6.6.3.2 Heavy-duty stop barriers

An appropriate heavy-duty stop barrier is required at the rear of the allocated location for a skip.

7. Recycling

7.1 Background

In Islington it is compulsory to recycle using recycling services at home. This includes household recycling (e.g. plastic, cans, glass bottles, cardboard), as well as food waste and garden waste if these services are available.

The Council aim to maximise the amount of waste recycled by ensuring every resident has access to convenient recycling facilities. All planning applications for residential properties will be required to take account of this aim and incorporate additional space for the storage of waste for recycling. The Government is also promoting recycling from businesses and account will be taken of these objectives when determining planning applications.

The Council promotes use of the Code for Sustainable Homes (the Code) and BREEAM (Building Research Establishment Environmental Assessment Method) schemes. These schemes contain objectives which encourage developers, property owners and architects to provide separate storage facilities for recyclable material. Compliance with requirements set out in this document will assist with the achievement of credits under BREEAM and the Code schemes.

7.2 Residential developments

7.2.1 Adequate storage provision

All residential premises must have adequate provision to store recycling and kitchen waste. Communal space must be provided for developments over six units. The storage capacity must be at least 50% of the total volume of waste output.

Street properties will be supplied with a green recycling box or bin (dependent on size of building), kitchen waste caddy, kitchen waste external container and garden waste sack. The containers are collected from within the property boundary at ground level.

Communal blocks will share recycling facilities. For recycling, they will be supplied with containers ranging from 240 litres to 1100 litres (the size and number of containers will be dependent upon the number and size of properties within the block). For kitchen waste, allowance should be made for each property to have a 5 litre caddy for internal collection and space for a communal kitchen waste bin ranging from 120 litres to 240 litres (the size and number of containers will be dependent upon the number and size of properties within the block).

Dimensions of containers are contained with Appendix 1.

7.2.2 Location

Space designated for recycling and kitchen waste shall be located so it is at least as convenient as the location where refuse is collected.

7.2.3 Identification on plans

Space designated for recycling and kitchen waste must be identified on plans submitted for planning permission.

7.2.4 Recyclable and compostable materials

We collect the following materials:

- Paper
- Cardboard
- Metal tins and cans
- Glass bottles and jars
- Household plastic packaging
- Cartons

All these materials are collected together in containers without the need for separation.

We collect the following kitchen waste:

- Cooked and raw food (plate scrapings)
- Meat and fish scraps (including bones)
- Fruit and vegetable peelings
- Eggs and egg shells
- Dairy products
- Cut flowers

- Tea bags and coffee grinds

Kitchen waste is collected in a separate container for both street properties and communal blocks.

7.2.5 Recycling containers

Recycling containers are lockable and have appropriate apertures to receive the materials to be recycled. Sizes of containers range from 240 litres to 1280 litres. Dimensions are supplied in Appendix 1.

7.2.6 Onsite composting facilities

Where feasible, facilities for the onsite composting of food waste should be provided. This could include the provision of individual compost bins within private gardens or provision of communally managed facilities.

7.3 Commercial developments

7.3.1 Recycling saves money and attracts customers

The provision of space for recyclable material in commercial developments is likely to result in lower commercial waste collection charges, as well as providing a practical demonstration of the occupant's concern for environmental issues.

The Council can provide advice and assistance to enable recycling and ensure that any recycling collected is correctly transported for processing . Further details can be obtained from the relevant Street Environment Services Area Manager.

7.4 Public recycling sites

Where appropriate, in major new developments, the Council will require the provision of a public recycling site, to provide additional facilities for the local community.

8. Charges

8.1 Residential

8.1.1 Collection - Refuse and recycling produced by purely residential premises is collected free of charge.

8.1.2 Containers

8.1.2.1 Refuse

The Council can supply bulk refuse containers (eurobins, paladins and skips).

A one off charge will be made for each container. For further information on charges please contact the relevant Area Manager.

The council does not supply domestic dustbins, which may be purchased from most hardware stores. Dustbins must have non moulded handles to enable safe carriage to the refuse collection vehicle.

8.1.2.2 Recycling

Recycling containers for use by residents are supplied free of charge.

8.2 Trade and business premises

8.2.1 Collections - Refuse resulting from any type of business or trading concern is classified as Commercial or Industrial Waste. Collections of this waste must be

carried out by a licensed waste collector and are chargeable. Businesses can either request the Council to collect their commercial waste or can choose an alternative licensed waste collector.

8.2.2 Containers – The Council can supply bulk refuse containers (paladins, eurobins and skips). A one off charge will be made for each container. For further information, please contact the relevant Area Manager.

9. Bulky waste storage

9.1 Development size

All multi-storey (residential) developments of approximately 25 units and over are to be provided with separate covered accommodation for the storage of discarded bulky items of lumber, furniture, washing machines, refrigerators and other such items.

9.2 Location

Lumber storage should be provided at ground level at convenient points throughout the development on the basis of one store for every 75 units of accommodation.

9.3 Dimensions

Each store should be approximately 7.5m² in floor area to normal storey height, and fitted with double doors giving a clear opening of 1830mm and a height of 1830mm.

9.4 Vehicle access

This must be provided directly to the storage compartment. (See also Section 11).

9.5 Lighting

The store should also have an internal light.

10. Clinical Waste

10.1 What counts as clinical waste?

Clinical waste includes anything containing bodily fluids or tissue (such as bandages, plasters, incontinence pads etc.), discarded drugs, needles, body parts, dead pets, etc.

10.2 Separate storage

In any development comprising any sort of medical centre, dental surgery, veterinary surgery, old people's home, nursing home, home or day centre for the disabled or handicapped, separate storage and collection arrangements are required for clinical and non-clinical waste.

Clinical waste must be stored separately from all other waste. Normally clinical waste is sealed inside yellow, coded bags. Sharps (including needles or surgical implements) are stored in special boxes.

10.3 Clinical waste collection

Collection of clinical waste is always made separately from normal refuse collections.

For more information about clinical waste, please contact Islington Council's Street Environment Services on 020 7527 4814.

11. Vehicle access – requirements, dimensions and turning circles

11.1 Loading

All vehicle access roads that the refuse collection vehicles will be required to use must be constructed to withstand a gross vehicle weight of 26 tonnes and axle loading of 11.5 tonnes. Manhole covers, gratings etc., situated in the road must also be capable of withstanding the loads indicated.

11.2 Access roads

Must be a minimum of 4 metres in width and layout should permit the vehicle to travel in a forward direction.

11.3 Reversing

Refuse collection vehicles should not be required to reverse more than 25 metres and then only in exceptional circumstances. In such circumstances, if pedestrians also use access, an additional raised footpath must be provided.

11.4 Turning areas

Due consideration must be given to the provision of areas for turning the refuse collection vehicle around within a development by means of hammerheads etc. Generous allowances (of at least 1 metre) should be included when considering the width of access roads, gateways etc. Additional allowances will be required if vehicles are required to approach from an angle.

11.5 Parking obstructions

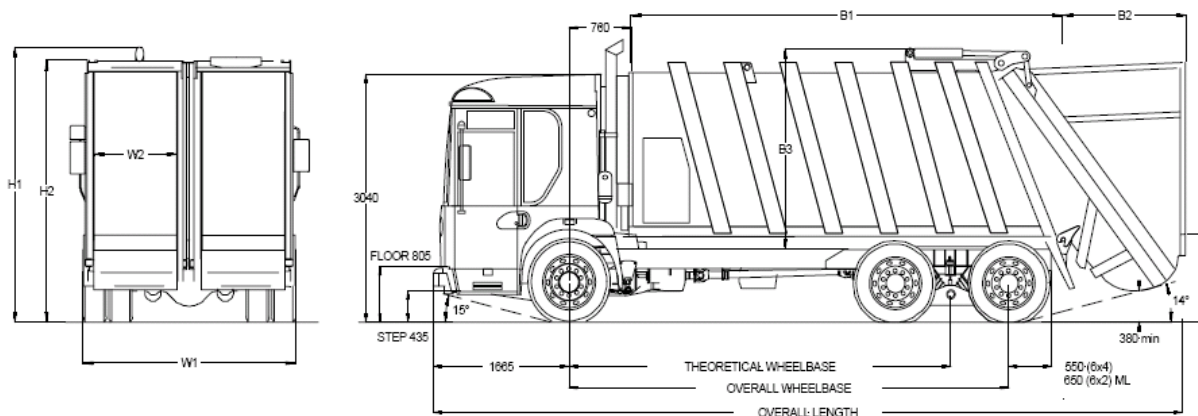
Appropriate measures must be incorporated into any scheme to control unauthorised parking of vehicles that would prevent access by the refuse collection vehicle and employees.

11.6 Collection vehicle dimensions: waste / recycling collection vehicle

(Three Axle 26.00 tonnes gross vehicle weight)

Dimensions and weight	
Width (W1)	2.65 metres
Overall length	11 metres
Height, incl. high level exhaust (H1)	3.6 metres
Swept Circle (diameter)	23 metres

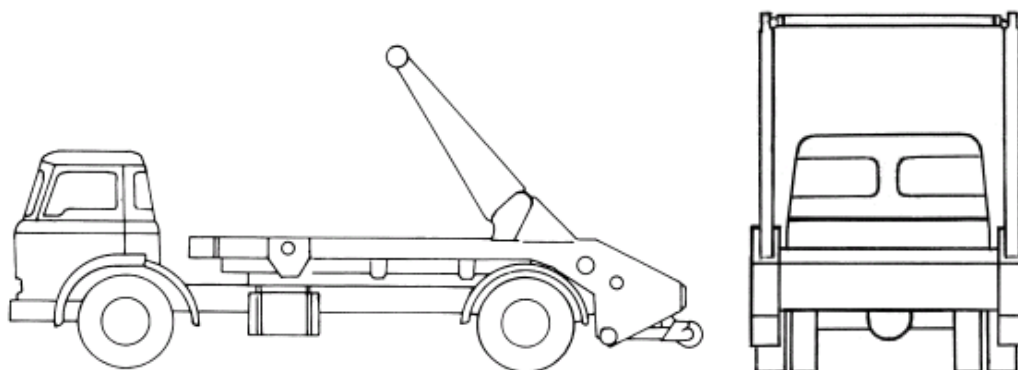
Note: Any part of a building through which a waste collection vehicle passes must have a minimum clear height of 4.5 m, to allow for overhead fixtures and fittings.



11.7 Collection vehicle dimensions: skip vehicle
(Two axle 18.00 tonnes gross vehicle weight)

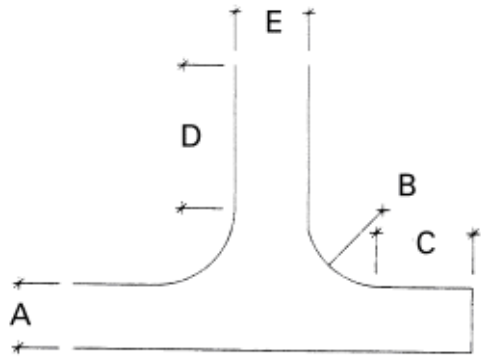
Dimensions (m)		
Width		2.6
Overall length	– vehicle	7.1
Working length	– vehicle and skip	11.0
Height	– Travelling (with skip)	3.7 (min height required 4.5)
	– Working	4.45 (min height required 4.9)
Kerb Turning Circle		14.4 diameter
Swept Circle		17.0 diameter
Axle weights	– Front	7.0 tonne
	– Rear	11.0 tonne

Note: any part of a building through which a skip vehicle passes must have a minimum clear height of 4.5 m, to allow for overhead fixtures and fittings. This must increase to 4.9 m in the service area containing the skip. It is recommended that the proposed service bay (refer to appendix 1 (vii) & (viii) d & e) be excluded from having ceiling mounted services such as ductwork, sprinklers, pipes etc.

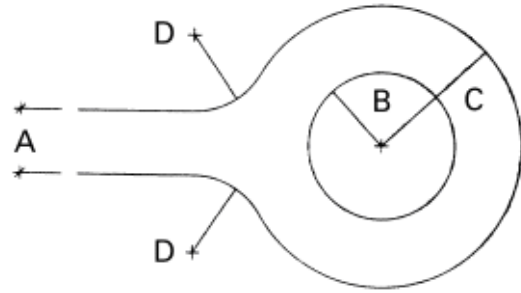


11.8

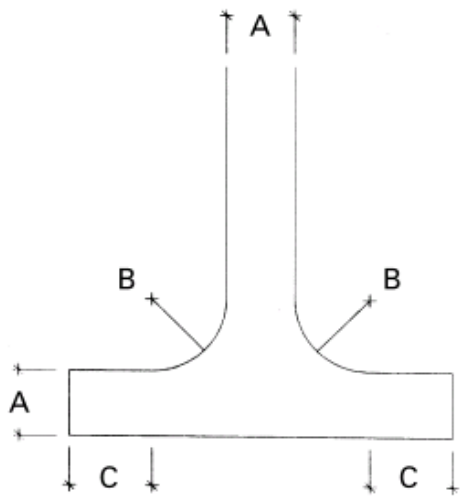
Minimum dimensions for turning areas (waste collection vehicle)



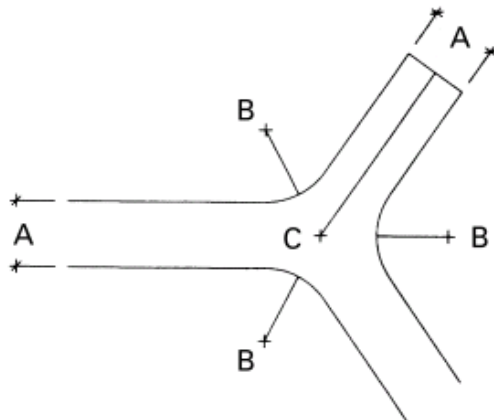
- | | |
|---|------|
| A | 5.0m |
| B | 6.0m |
| C | 7.0m |
| D | 5.0m |
| E | 5.5m |



- | | |
|---|-------|
| A | 5.0m |
| B | 5.75m |
| C | 11.5m |
| D | 6.0m |



- | | |
|---|------|
| A | 5.5m |
| B | 6.0m |
| C | 6.7m |



- | | |
|---|-------|
| A | 5.5m |
| B | 10.5m |
| C | 16.6m |

Appendix I – Storage equipment for waste and recyclable material

(a) Plastic sacks

These should conform to British Standard BS 6642: 1985. To minimise the problem of sacks splitting leading to spillage, it is recommended that the following types of plastic sack are used as a minimum standard:

- **General Office Use** - 120 gauge (30 micron), medium density, maximum 80% recycled.
- **Catering (hotels, restaurants etc)** - 160 gauge (40 micron), low density, maximum 80% recycled.

All plastic sacks used for waste storage should be of maximum dimensions 950mm long by 700 mm overall width (gussets extended).

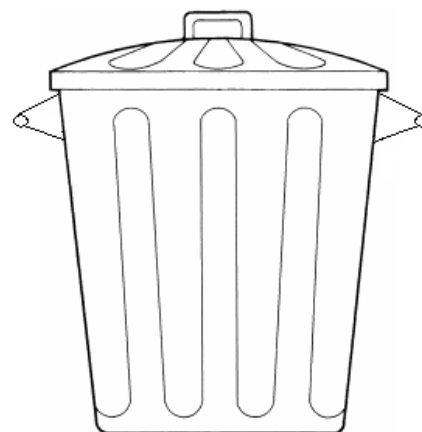
(b) Dustbins

i) Size

These should conform to British Standard BS 4998: 1985, be of a nominal capacity of 90 litres, and must have handles.

90 litre capacity dustbin - Dimensions (mm)

Height	700
Maximum External Diameter	640 (including handles)



ii) Uses

Residential Properties: Houses and flats or maisonettes in low rise developments (up to three storeys in flats and four storeys in maisonettes). Collections will take place from the ground floor only.

Commercial Use: Dustbins are also employed at trade premises with small outputs, e.g. up to five dustbins per week.

iii) Installation Requirements

Walking Distances: The distance between where a dustbin is sited on a property and the nearest practicable position that the refuse collection vehicle can stop must not exceed **10** metres.

Location: Dustbins should stand on a hard, impervious surface. Where practicable they should be located in external chambers (there should be no need for refuse collectors to enter the building itself.) If sited at the front of the property they should be appropriately screened visually from the public footpath or enclosed in a well-ventilated cupboard.

Storage Chambers: The height of any compartment must allow for the lid of the bin to be opened or removed without the necessity of removing the bin from the cupboard. Any access door to the bins must be without locks. It must be possible to remove the bins horizontally.

Basements & Stairs: Basement areas should not be used for storing refuse. The negotiation of steps and stairs by the refuse collectors must be avoided.

Paths: should have a minimum width of 915mm and headroom of 2 metres.

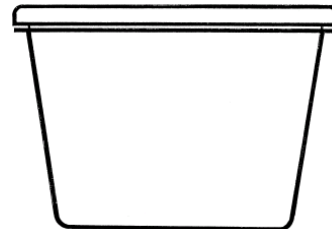
(c) Recycling box for single household recyclable material

Plastic containers suitable to store recyclable material from single households are available from the Council.

Note: recyclable material from multiple households should be stored in wheeled bins (refer to d & e).

Space required for recycling box (including lid) for individual households (mm)

Capacity (litres)	55
Width	440
Length	560
Height	350



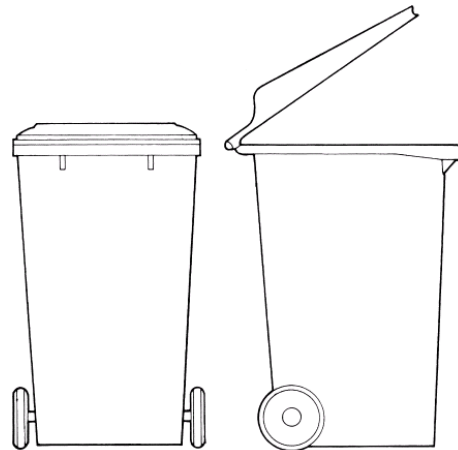
(d) Wheeled bins for refuse and recycling

i) Size

These are plastic wheeled bins with two wheels and should conform to British Standard BS EN 840: 1997. These waste containers are easy to transport and may be used as an alternative to dustbins and sacks.

Dimensions (mm)

Capacity (litres)	140	240	360
Width	500	585	660
Length	560	740	880
Height	1075	1100	1100



ii) Uses

Residential Properties:

These containers would be used communally and normally stored in an external housing or chamber at ground floor level.

Commercial Use:

This type of container is the most common employed by trade and commercial premises producing medium quantities of refuse each week.

iii) Installation Requirements

Walking Distances: The distance from the container to the position of the refuse collection vehicle must not exceed **10** metres.

Surfaces: There must be a paved or hard finished access path, which must be smooth, without steps or kerbs with a minimum width of 1.5 metres and clear headroom of 2 metres.

Crossovers: If containers are required to negotiate a change of level from the footpath to the road surface, crossovers must be constructed.

+Applications for construction of crossovers are considered by the Planning Development Department, address: 222 Upper Street, N1.

Gradients and slopes: should be avoided but in any event must not exceed 1 in 12 falling away from the container housing.

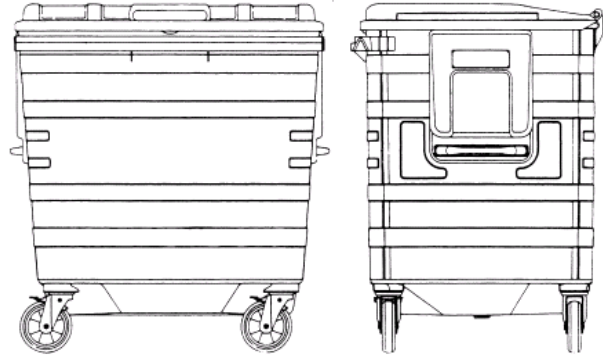
(e) 1280, 1100 and 660 litre bins for refuse and recycling

These are metal wheeled bins with four wheels and should conform to British Standard BS EN 840: 1997. They have a fixed lid, which can be supplied with a lock if required, and are suitable for residential and mixed developments and also offices of up to 2,500m² in size. These containers are not suitable for developments using a chute fed waste storage system.

i) Size

Note: sizes will vary depending on design and supplier.

Dimensions (mm)			
Capacity (litres)	1280	1100	660
Width	1280	1270	1265
Depth	1000	1000	740
Height	1445	1380	1320



ii) Uses

Residential Properties:

In small developments, they may in certain circumstances be more applicable than dustbins. These containers would be used communally and normally stored in an external housing or chamber at ground floor level.

In medium and high-rise developments, they are normally housed in chambers integral with the building. They can be fed via chutes, with hoppers at each floor level.

Commercial Use:

This type of container is the most common employed by trade and commercial premises producing large quantities of refuse each week.

iii) Installation Requirements

Bin Stores: Chutes, hoppers and chambers should conform to applicable building regulations and the appropriate British Standard. Where it is necessary for more than one container to serve a chute, termination should be by bifurcated baffle plate or by swivel chute end. Any of these multi-container installations must also be approved in writing by the Council's Borough Housing Officer, where the development is on behalf of the Council.

Where 1100 litre containers are installed inside chambers an additional 1000mm is required above the bin to allow space for the lid to be opened.

Walking Distances: The distance from the container to the position of the refuse collection vehicle must not exceed **10** metres.

Surfaces: There must be a paved or hard finished access path, which must be smooth, without steps or kerbs with a minimum width of 1.5 metres and clear headroom of 2 metres.

Crossovers: If containers are required to negotiate a change of level from the footpath to the road surface, crossovers must be constructed.

+Applications for construction of crossovers are considered by the Planning Development Department, address: 222 Upper Street, N1.

Gradients and slopes: should be avoided but in any event must not exceed 1 in 12 falling away from the container housing.

(f) Chamberlain containers for refuse

i) Sizes

There are two sizes of Chamberlain containers both are rectangular in plan:

720 litre Chamberlain: 1410mm high, 1010mm long, 765mm wide

940 litre Chamberlain: 1410mm high, 1010mm long, 950mm wide

ii) Uses

Use of Chamberlain containers is generally similar to use of 1100 Eurobins. Installation requirements are identical (except that the size and configuration of any store must take into account the difference in size and height). Chamberlains are not kept as standard stock items.

(g) Non-compression skips

i) Sizes

Skips are available in two sizes:

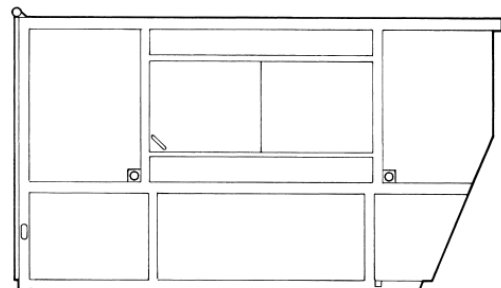
Dimensions (m)	Skip Container 10.5 cu m skip		Rolonof Skip Container 27 cu m skip	
	Container	Service Bay*	Container	Service Bay*
Width	1.8	4.5	2.5	5.0
Length	3.7	5.8	6.2	8.2
Height	2.34	4.9	2.8	6.0
Minimum width of entrance to service bay 4.0				

In developments where the service bay opens directly on to the street, the distance from the entrance to the rear of the service bay should be a minimum of:

i) 12.0 m for a 10.5 cu m skip

ii) 19.0 m for a 27 cu m skip

This is to prevent the vehicle encroaching on to the footway when loading or unloading the skip.



ii) Uses

Residential Properties:

Where the number of flats to a chute would require a number of 1100 litre Eurobins or paladin containers to contain the refuse a non-compression skip may be more appropriate. The skip would be loaded via a chute feeding into the top. All chutes must have the appropriate cut-off plate.

Commercial Use:

This type of skip is also employed at trade or business premises producing large quantities of refuse. It is usually sited in the open and loaded via apertures in the side of the skip.

iii) Installation Requirements

Stores: Any chamber to contain the skip must have internal dimensions of 5564mm, front to back, by 3778mm wide, by 3200mm high.

Access: The vehicle servicing the skip must be able to reverse into the chamber, and the area immediately outside the chamber (or, if externally sited, providing access to the skip)

must be level for a minimum distance of 10 metres, with clear headroom of 5.3 metres.
(Please see also Section 9 Access Roads.)

Appendix II – Useful information

WEB ADDRESSES:

www.bre.co.uk (Building Research Establishment)
www.bsi-global.com (British Standards Institution)
www.ciwm.co.uk (Chartered Institution of Wastes Management)
www.defra.gov.uk/environment (Dept. for Environment, Food & Rural Affairs)
www.environment-agency.gov.uk (Environment Agency)
www.islington.gov.uk (Islington Council)
www.letsrecycle.com (Industry news website)
www.wastewatch.org.uk (Waste Watch – general guidance on waste and recycling)
www.wrap.org.uk/construction Information on materials resource efficiency for the construction sector.

Appendix IV – Reference documents

BREEAM (Building Research Establishment Environmental Assessment Method)

- a) An Environmental Assessment For New Offices
- b) An Environmental Assessment For New Homes
- c) Household waste: storage provision and recycling

British Standards Institution Codes and Standards

BS 1703: 2005 Specification for Refuse Chutes and Hoppers
BS 4998: 1985 Moulded Plastic Dustbins
BS 5906: 2005 Waste Management in Buildings. Code of Practice
BS 5395-1: 2000 Stairs, ladders and walkways
BS EN 840: 2004 Mobile waste containers
BS EN 13592: 2003 Plastic Sacks for Household Waste Collection

Building Regulations 2000 (as amended by SI 2001/3335), requirement H6, Solid waste storage.

Building Regulations 2000, requirement K1, Stairs, ladders and ramps.

Chartered Institution of Wastes Management. Publication No.3 Advice on Storage and On-Site Treatment of Household, Commercial and Industrial Wastes

Department of Transport Design Bulletin 32, Residential Roads and Footpaths

Designing for Deliveries, Freight Transport Association

Environmental Protection Act 1990

Household Waste Recycling Act 2005

Rethinking Rubbish in London

The Mayor's Municipal Waste Management Strategy Nov 2011

Unitary Development Plan adopted January 2007

Waste Strategy for England 2007